

Most diverse power-saving paper unloading device, Unloader 2.0

The Unloader stacks up the cut paper sheets on a pallet, reducing the load on the operator.

A high-end model that satisfies you in all features including productivity, reliability and ease of operation

Design that places pallets on the floor

The unloader can be connected to any paper cutter and the design that places pallets on the floor eliminates the need for pit construction.

Easy operation

Change in paper size involves only one switch.

Quick unloading

You can pick up the paper quickly in an unloading cycle without raising the main body of the machine.

Slide down system

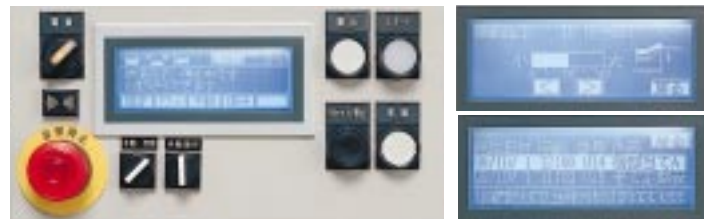
The slide down system in which the table slides down onto the pallet reduces the operation time.

Gripper unit

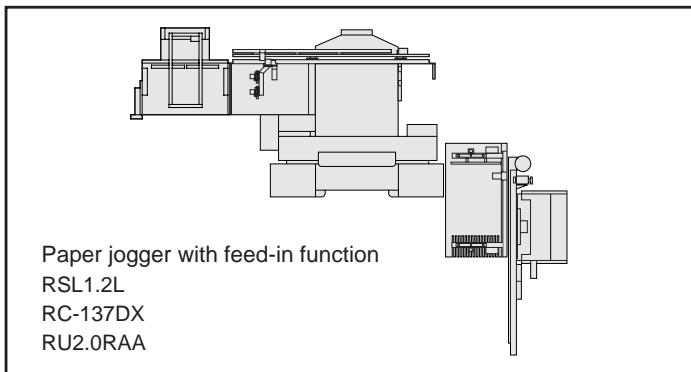
A front contact gripper unit eliminates paper deviation in a movable instance and improves stacking accuracy on the pallet.



LCD with a touch panel simplifies operations for error displays and self-check or the like



Lay-out plan



Self-check function

It checks that the safety sensor functions correctly upon start of operation to ensure safety.

Error message function

When an error occurs, the location of the error, date and time of occurrence are shown as an error message and stored in the records.

Various settings

As the settings for the stack pressure and stack gap timer are digitally displayed, constant settings are available.

Maintenance function

Display of various information and data useful for troubleshooting and maintenance is possible.

SPECIFICATIONS

	B	AA
Maximum paper size	800 x 1100 mm 31 1/2" x 43 1/3"	900 x 1300 mm 35 1/3" x 51"
Minimum paper size	400 x 500 mm 15 3/4" x 19 3/4"	
Maximum height of supplied paper stack	165mm 6 1/2"	
Minimum height of supplied paper stack	30mm 1 1/8"	
Maximum stack height	1500-1650mm 59" x 65"	
Pallet height	over 130mm over 5 1/4"	
Alternate stacking function Option	Standard	
Weight	2200kg 4850 lbs	2300kg 5070 lbs
Total electrical capacity	4.5kw	

MEASUREMENT

